

## SPECIAL FEATURES

- Provide accurate Pressure Reading and Built In Dampening
- Liquid Filled Gauge Minimized Vibration And Wear To Gauge Movement
- Quick And Accurate Response To Pressure Changes
- The Stationery Dial And Moving Pointer Is Easy Seen

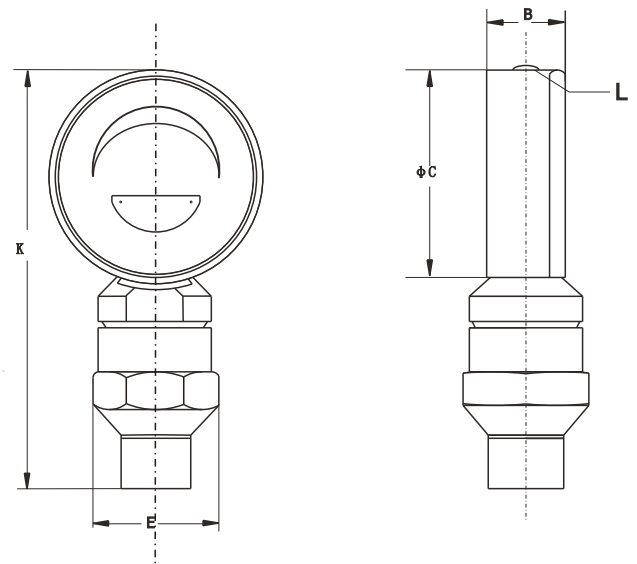
## SPECIFICATIONS

- Ambient Temperature: -77°F(-25°C) to + 131°F(+55°C)
- Operating Pressure Range: 75% of Scale Value
- Fork: Stainless Steel
- Movement: Brass
- Dial: Aluminum
- Pointer: Fixed
- Window: Perspex
- Case filling: Glycerine Filled
- Case&ring: Gun Metal Casting, Weather Proof Gray Hammertone Finish
- Mounting & Entry: Direct With Bottom
- Sensing Element: AISI 316L SS Diaphragm
- Chamber Material: Stainless Steel
- Sealing Fluid: Silicon Oil
- Mud Protection: Neoprene Rubber Pad
- Process Connection: 2" NPT(M)
- Process Conn. Material: Mild Steel, Anti-Corrosion Treated
- Accuracy: 3-2-3 (Grade B)  
2-1-2 (Grade A)



## HOW TO ORDER

SERIES	P-31											
MOUNTING	2 BOTTOM			X								
CONNECTION***	12BM	1 1/2" BSP(M)	XX									
	12NM	1 1/2" NPT(M)										
	JA	2" BSP(M)										
	JS	2" NPT(M)										
RANGE	<table border="1"> <tr> <td>7MPa</td> <td>16MPa</td> <td>25MPa</td> <td>35MPa</td> </tr> <tr> <td>40MPa</td> <td>60MPa</td> <td>80MPa</td> <td>100MPa</td> </tr> </table>			7MPa	16MPa	25MPa	35MPa	40MPa	60MPa	80MPa	100MPa	XX
7MPa	16MPa	25MPa	35MPa									
40MPa	60MPa	80MPa	100MPa									



NS	K	B	φC	L	E
4"	7.0"	2.09"	4.9"	0.89"	2.56"
6"	6.8"	2.17"	6.3"	0.85"	2.76"

\*\*\*Please consult factory for any special connections

**Ordering Example: P-31-X-XX-XX**