

SPECIAL FEATURES

Economic Version
 RANGE 0-300 psi
 Standard Followed ASME -B.40.1 / EN837-1
 Fire sprinkler systems application
 IP:53

SPECIFICATIONS

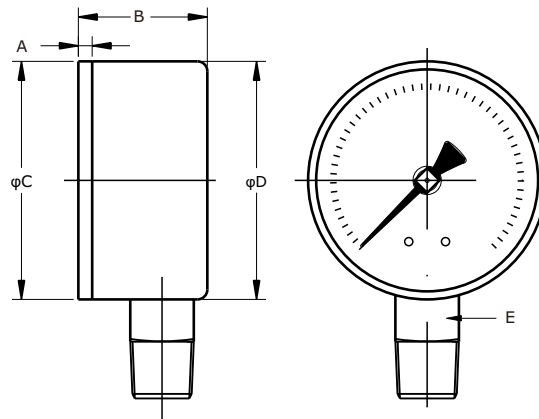
Ambient Temperature: -4°F(-20°C) to +150°F(+65°C)
 Process Temperature: Max.250°F (120°C)
 Operating Pressure Range: 75% of Scale Value
 Over Pressure Limit: 120% of Max.Scale Value
 Case: ABS Plastic Case
 Joints: Alloy Brazing/Soldering
 Socket: Copper Alloy
 Bourdon: Copper Alloy
 Movement: Copper Alloy
 Dial:Aluminum
 Pointer: Fixed
 Window: Snap in Plastic Lens
 Range: 300psi



ACCURACY AS PER ASME B.40.1

4" : 2-1-2 (GRADE A)

*Please consult factory for better accuracy availability.



NS	A	B	φC	φD	E	Weight (lbs)
4"	0.14"	1.2"	3.9"	3.9"	0.55"	0.82

HOW TO ORDER

Example

NOMINAL SIZE

F

X

4 "

TYPE OF MOUNTING

X

- 1 WALL/SURFACE/PROJECTION MOUNTING WITH BOTTOM
- 2 BOTTOM

GAUGE CONNECTION

XXX

- 2BM** 1/4" BSP(M)
- 2NM** 1/4" NPT(M)
- 3BM** 3/8" BSP(M)
- 3NM** 3/8" NPT(M)
- 4BM** 1/2" BSP(M)
- 4NM** 1/2" NPT(M)
- 4MM** M20 X 1.5(M)

***Please consult factory for any special connections

OPTIONAL EXTRAS

XX

- | | |
|---|--|
| SG OXYGEN SERVICE (FOR DRY VERSION) | RW PLEXI GLASS |
| SF MOVEMENT WITH DAMPENING JELLY | RZ TOUGHENED GLASS |
| RH CUSTOM DESIGNED DIAL | SJ MAXIMUM READING POINTER WITH PLEXI GLASS (FOR DRY VERSION) |
| ZB RECEIVER RANGE | FK INTEGRAL DAMPENING SCREW (BRASS) |
| ZC FREON RANGE (WITH TEMPERATURE SCALE) | GH MATERIAL TEST CERTIFICATES |
| ZD AMMONIA RANGE (WITH TEMPERATURE SCALE) | PW FIVE POINT CALIBRATION CERTIFICATE NATIONAL/ INTERNATIONAL STANDARDS |
| SW DIAL TAG MARKING | |

Ordering Example: P-40-X-X-XXX-(E15)-XX