

## SPECIAL FEATURES

Stainless Steel Case & Measuring System  
 316 L SS/304 SS Wetted Parts Welded With Case  
 Helium Leak Tested Ready For Oxygen Use  
 Standard Followed ASME -B.40.1  
 IP:66

## SPECIFICATIONS

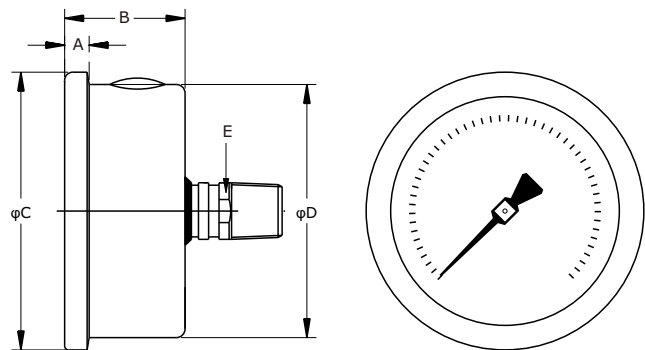
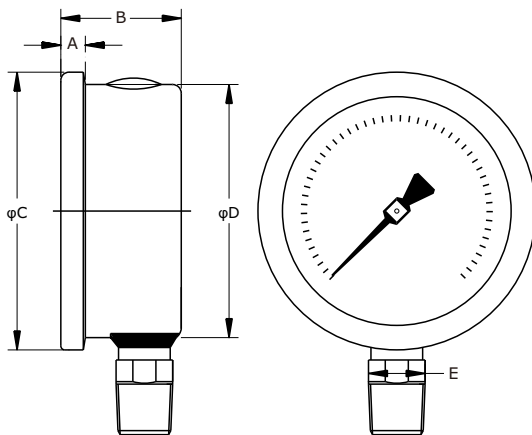
Ambient Temperature: -4°F(-20°C) to + 150°F (+65°C)  
 Process Temperature: Max.392°F (200°C)  
 Operating Pressure Range: 75% of Scale Value  
 Over Pressure Limit: 125% of Max.Scale Value  
 Case: AISI 304 SS  
 Joints: Tig Argon Arc Welding  
 Socket: AISI 304 SS  
 Bourdon: AISI 316L SS  
 Movement: Brass  
 Dial: Aluminum  
 Pointer: Fixed  
 Window: PC Lens  
 Range: Vacuum to 10,000psi



## ACCURACY AS PER ASME B.40.1

1.5"/2" : 3-2-3 (Grade B)  
 2.5"/3"/4" : 2-1-2 (Grade A)

\*Please consult factory for better accuracy availability.



NS	A	B	φC	φD	E	Weight (lbs)
1.5"	0.2"	1.0"	1.8"	1.6"	0.43"	0.18
2"	0.2"	1.2"	2.2"	2.0"	0.55"	0.26
2.5"	0.3"	1.2"	2.7"	2.4"	0.55"	0.40
3"	0.3"	1.4"	3.4"	3.1"	0.67"	0.73
4"	0.3"	1.9"	4.3"	3.9"	0.87"	1.32

NS	A	B	φC	φD	E	Weight (lbs)
1.5"	0.2"	1.0"	1.8"	1.6"	0.43"	0.18
2"	0.2"	1.2"	2.2"	2.0"	0.55"	0.26
2.5"	0.3"	1.2"	2.7"	2.4"	0.55"	0.40
3"	0.3"	1.4"	3.4"	3.1"	0.67"	0.73

## HOW TO ORDER

Example

### NOMINAL SIZE

B	C	D	E	F
1.5"	2"	2.5"	3"	4"

X

### TYPE OF MOUNTING

- 1 WALL/SURFACE/PROJECTION MOUNTING WITH BOTTOM
- 2 BOTTOM
- 3 LOWER BACK
- 4 CENTER BACK
- 5 LOWER BACK WITH FRONT FLANGE
- 6 LOWER BACK CONNECTION WITH MOUNTING BRACKET
- 7 CENTER BACK WITH FRONT FLANGE
- 8 CENTER BACK WITH MOUNTING BRACKET

X

### GAUGE CONNECTION

- 1BM** 1/8" BSP(M)
- 1NM** 1/8" NPT(M)
- 1TM** 1/8" BSPT(M)
- 2BM** 1/4" BSP(M)
- 2NM** 1/4" NPT(M)
- 2TM** 1/4" BSPT(M)
- 3BM** 3/8" BSP(M)
- 3NM** 3/8" NPT(M)
- 3TM** 3/8" BSPT(M)
- 4BM** 1/2" BSP(M)
- 4NM** 1/2" NPT(M)
- 4MM** M20 X 1.5(M)

\*\*\*Please consult factory for any special connections

XXX

### RANGE

CODE	E1	E2	E3	E4	E5	E6	E7	E8	E9	E10	E11	E12	E13	E14
RANGE (psi)	-30"hg	-30"hg-15	-30"hg-30	-30"hg-60	-30"hg-100	-30"hg-160	-30"hg-200	-30"hg-300	15	30	60	100	160	200
CODE	E15	E16	E17	E18	E19	E20	E21	E22	E23	E24	E25	E26	E27	E28
RANGE (psi)	300	400	500	600	800	1000	1500	2000	3000	4000	5000	6000	7500	10,000

E13

### OPTIONAL EXTRAS

- |  |  |
|--|--|
| <ul style="list-style-type: none"> <li><b>SG</b> OXYGEN SERVICE (FOR DRY VERSION)</li> <li><b>TI</b> MONEL BOURDON &amp; SOCKET (MONEL VERSION)</li> <li><b>TF</b> TESTED TO NACE STANDARD</li> <li><b>TB</b> HELIUM LEAK TEST</li> <li><b>SD</b> AISI 316 SS MOVEMENT</li> <li><b>SF</b> MOVEMENT WITH DAMPENING JELLY</li> <li><b>RI</b> 25mm BOD</li> <li><b>RH</b> CUSTOM DESIGNED DIAL</li> <li><b>ZB</b> RECEIVER RANGE</li> <li><b>AT</b> ATEX (AS PER 2014/34/EU)</li> <li><b>ZC</b> FREON RANGE (WITH TEMPERATURE SCALE)</li> <li><b>ZD</b> AMMONIA RANGE (WITH TEMPERATURE SCALE)</li> <li><b>SW</b> DIAL TAG MARKING</li> <li><b>RW</b> PLEXI GLASS</li> <li><b>RX</b> SHATTERPROOF /SAFETY GLASS</li> <li><b>RZ</b> TOUGHENED GLASS</li> <li><b>SJ</b> MAXIMUM READING POINTER WITH PLEXI GLASS FILLABLE VERSION</li> <li><b>ZM</b> ELECTRO POLISHED CASE &amp; BEZEL</li> </ul> | <ul style="list-style-type: none"> <li><b>CK</b> EPOXY PAINTED CASE &amp; BEZEL</li> <li><b>SQ</b> CASE WITH ROLLING TYPE BEZEL</li> <li><b>OS</b> CASE WITH BAYONET TYPE BEZEL</li> <li><b>PS</b> AISI 316 SS CASE &amp; BEZEL</li> <li><b>KA</b> ON-OFF TYPE VENT PLUG</li> <li><b>SX</b> SS TAG PLATE</li> <li><b>SY</b> AISI 316SS TAG PLATE</li> <li><b>QB</b> INTEGRAL DAMPENING SCREW (AISI 316 SS)</li> <li><b>FL</b> INTEGRAL DAMPENING SCREW (MONEL)</li> <li><b>FS</b> FILLABLE LIQUID SILICON OIL</li> <li><b>FG</b> FILLABLE LIQUID GLYCERINE</li> <li><b>ZZ</b> DIELECTRIC OIL FILLED</li> <li><b>PX</b> DAMPENING LIQUID FLUOROLUBE FILLED</li> <li><b>PY</b> DAMPENING LIQUID GLYCERINE OIL FILLED</li> <li><b>PZ</b> DAMPENING LIQUID MINERAL LIQUID FILLED</li> <li><b>QA</b> DAMPENING LIQUID SILICON OIL FILLED</li> <li><b>GH</b> MATERIAL TEST CERTIFICATES</li> <li><b>PW</b> FIVE POINT CALIBRATION CERTIFICATE NATIONAL/ INTERNATIONAL STANDARDS</li> </ul> |
|--|--|

XX

**Ordering Example: P-37-X-X-XXX-(E13)-XX**