



### STANDARD VERSION

Body	AISI 316 SS
Handle	AISI 316 SS
Working temperature	Up to 180°C
Gasket seal	PTFE
Nominal pressure	100 kg/cm <sup>2</sup>

### SPECIAL FEATURES

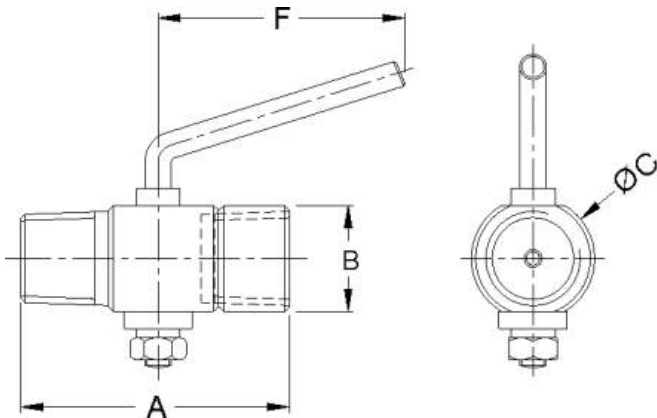
PTFE ADJUSTABLE PACKING INSTALLED BELOW OPERATING THREADS TO PREVENT MEDIA CONTAMINATION OR LUBRICANT WASHOUT OF OPERATING THREADS  
SPINDLE FOR LONGER DURABLE OPERATION  
WITH AIR VENT HOLE (OPTIONAL)

### APPLICATIONS

HYDRAULIC MACHINES, COMPRESSORS, PROCESS PLANTS, CLEAN AIR, GASES & NON CRYSTALLIZED LIQUIDS.

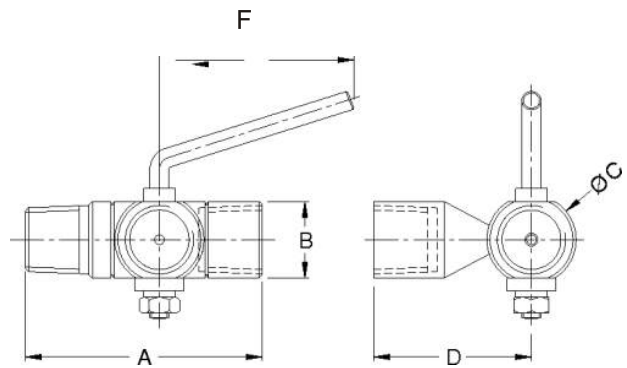
### DIMENSIONS - STANDARD VERSION

2 WAY - ROUND BAR



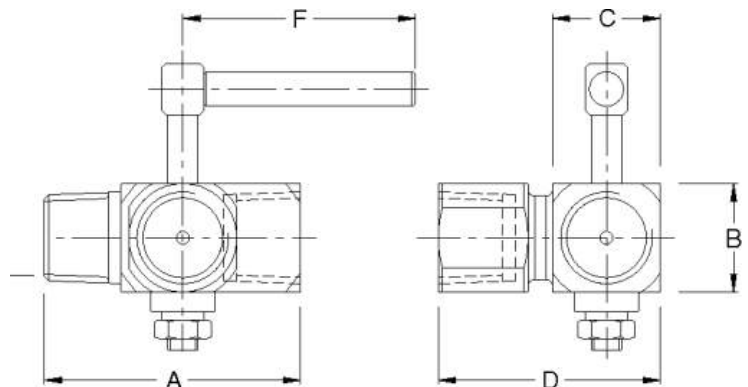
A	B	ØC	F	Weight in gram (With Box)
60	25	28	52.5	235.0

3 WAY - ROUND BAR



A	B	ØC	D	F	Weight in gram (With Box)
75	24	28	49.5	61	375.0

3 WAY - SQUARE BAR



A	B	C	D	F	Weight in gram (With Box)
60	25	28	52	54.5	340.0

Notes : • Drawings are not to scale. • All Dimensions are in mm.

## HOW TO ORDER

				Example
<b>BASIC MODEL</b>				<b>AC-02</b>
<b>CODE</b>				
<b>TYPE</b>				<b>XX</b>
<b>KS</b> 2 WAY - ROUND BAR	<b>KU</b> 3 WAY - ROUND BAR			
<b>KT</b> 3 WAY - SQUARE BAR				
<b>BODY</b>				<b>XX</b>
<b>CQ</b> AISI 304 SS	<b>CP</b> BRASS			
<b>CL</b> AISI 316 SS (Standard)				
<b>SIZE &amp; END CONNECTION [INLET x OUTLET]</b>				<b>XX</b>
<b>NF</b> 1/4" (F x F) (Standard)	<b>NI</b> 3/8" (F x F) (Standard)	<b>NL</b> 1/2" (F x F) (Standard)		
<b>NG</b> 1/4" (M x F)	<b>NJ</b> 3/8" (M x F)	<b>NM</b> 1/2" (M x F)		
<b>NH</b> 1/4" (M x M)	<b>NK</b> 3/8" (M x M)	<b>NN</b> 1/2" (M x M)		
IN CASE OF 3 WAY GAUGE COCK, ONE CONNECTION WILL BE MALE & ANOTHER TWO WILL BE FEMALE				
<b>EXAMPLE : NM : 1/2" (MxF) MEANS 1/2" (MxFxF)</b>				
<b>THREAD TYPE</b>				<b>XX</b>
<b>GU</b> BSP				
<b>GV</b> NPT				
<b>OPTIONAL EXTRAS</b>				<b>XX</b>
FOR OTHER OPTIONAL ITEMS, PLEASE CONTACT FACTORY FOR DELIVERY AND MINIMUM QUANTITY OF ORDER.				
<b>GH</b> MATERIAL TEST CERTIFICATE				
<b>GI</b> VENT HOLE				

\* MATERIAL TEST CERTIFICATES WILL BE PROVIDED FOR WETTED PARTS ONLY WITH CHEMICAL COMPOSITION TESTING. FOR OTHERS, PLEASE CONSULT FACTORY.

**Ordering Example: AC-02 - XX - XX - XX - XX - XX**