

SPECIAL FEATURES

Stainless Steel Case Welded To Socket
 Dry or Liquid Filled Version
 Standard Followed :
 NSF/ANSI 61 Section 8-2016
 NSF/ANSI 372-2016
 Helium Leak Tested
 Ready For Oxygen Use
 NSF Certificate for drinking water application
 IP:66



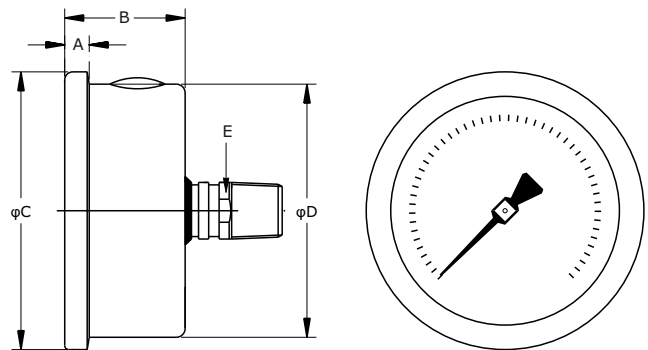
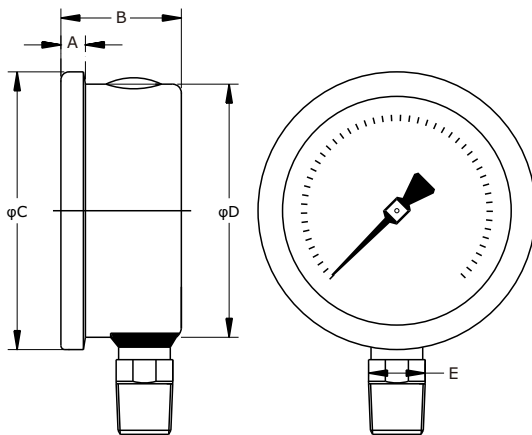
SPECIFICATIONS

Ambient Temperature: -4°F(-20°C) to + 150°F(+65°C)
 Process Temperature: Max.392°F (200°C)
 Operating Pressure Range: 75% of Scale Value
 Over Pressure Limit: 125% of Max.Scale Value
 Case: AISI 304 SS Crimped Type
 Joints: Tig Argon Arc Welding
 Socket: AISI 304 SS
 Bourdon: AISI 316L SS
 Movement: Brass
 Dial: Aluminum
 Pointer: Fixed
 Window: PC lens
 Range: Vacuum to 10,000psi

ACCURACY AS PER ASME B.40.1

1.5"/2" : 3-2-3 (Grade B)
 2.5"/3"/4" : 2-1-2 (Grade A)

*Please consult factory for better accuracy availability.



NS	A	B	φC	φD	E	Weight (lbs)
1.5"	0.2"	1.0"	1.8"	1.6"	0.43"	0.18
2"	0.2"	1.2"	2.2"	2.0"	0.55"	0.26
2.5"	0.3"	1.2"	2.7"	2.4"	0.55"	0.40
3"	0.3"	1.4"	3.4"	3.1"	0.67"	0.73
4"	0.3"	1.9"	4.3"	3.9"	0.87"	1.32

NS	A	B	φC	φD	E	Weight (lbs)
1.5"	0.2"	1.0"	1.8"	1.6"	0.43"	0.18
2"	0.2"	1.2"	2.2"	2.0"	0.55"	0.26
2.5"	0.3"	1.2"	2.7"	2.4"	0.55"	0.40
3"	0.3"	1.4"	3.4"	3.1"	0.67"	0.73

HOW TO ORDER

Example

NOMINAL SIZE

B	C	D	E	F
1.5"	2"	2.5"	3"	4"

X

TYPE OF MOUNTING

- 1 WALL/SURFACE/PROJECTION MOUNTING WITH BOTTOM
- 2 BOTTOM
- 3 LOWER BACK
- 4 CENTER BACK
- 5 LOWER BACK WITH FRONT FLANGE
- 6 LOWER BACK WITH MOUNTING BRACKET
- 7 CENTER BACK WITH FRONT FLANGE
- 8 CENTER BACK WITH MOUNTING BRACKET

X

GAUGE CONNECTION

- 1BM** 1/8"BSP(M)
- 1NM** 1/8"NPT(M)
- 1TM** 1/8"BSPT(M)
- 2BM** 1/4"BSP(M)
- 2NM** 1/4"NPT(M)
- 2TM** 1/4"BSPT(M)
- 3BM** 3/8"BSP(M)
- 3NM** 3/8"NPT(M)
- 3TM** 3/8"BSPT(M)
- 4BM** 1/2"BSP(M)
- 4NM** 1/2"NPT(M)
- 4MM** M20 X 1.5(M)

***Please consult factory for any special connections

XXX

RANGE

CODE	E1	E2	E3	E4	E5	E6	E7	E8	E9	E10	E11	E12	E13	E14
RANGE (psi)	-30"hg	-30"hg-15	-30"hg-30	-30"hg-60	-30"hg-100	-30"hg-160	-30"hg-200	-30"hg-300	15	30	60	100	160	200
CODE	E15	E16	E17	E18	E19	E20	E21	E22	E23	E24	E25	E26	E27	E28
RANGE (psi)	300	400	500	600	800	1000	1500	2000	3000	4000	5000	6000	7500	10,000

E13

OPTIONAL EXTRAS

- | | |
|---|--|
| SG OXYGEN SERVICE (FOR DRY VERSION) | CK EPOXY PAINTED CASE & BEZEL |
| TI MONEL BOURDON & SOCKET (MONEL VERSION) | SQ CASE WITH ROLLING TYPE BEZEL |
| TF TESTED TO NACE STANDARD | OS CASE WITH BAYONET TYPE BEZEL |
| TB HELIUM LEAK TEST | PS AISI 316 SS CASE & BEZEL |
| SD AISI 316 SS MOVEMENT | KA ON-OFF TYPE VENT PLUG |
| SF MOVEMENT WITH DAMPENING JELLY | SX SS TAG PLATE |
| RI 25mm BOD | SY AISI 316SS TAG PLATE |
| RH CUSTOM DESIGNED DIAL | QB INTEGRAL DAMPENING SCREW (AISI 316 SS) |
| ZB RECEIVER RANGE | FL INTEGRAL DAMPENING SCREW (MONEL) |
| AT ATEX (AS PER 2014/34/EU) | FS FILLABLE LIQUID SILICON OIL |
| ZC FREON RANGE (WITH TEMPERATURE SCALE) | FG FILLABLE LIQUID GLYCERINE |
| ZD AMMONIA RANGE (WITH TEMPERATURE SCALE) | ZZ DIELECTRIC OIL FILLED |
| SW DIAL TAG MARKING | PX DAMPENING LIQUID FLOUROLUBE FILLED |
| RW PLEXI GLASS | PY DAMPENING LIQUID GLYCERINE OIL FILLED |
| RX SHATTERPROOF /SAFETY GLASS | PZ DAMPENING LIQUID MINERAL LIQUID FILLED |
| RZ TOUGHENED GLASS | QA DAMPENING LIQUID SILICON OIL FILLED |
| SJ MAXIMUM READING POINTER WITH PLEXI GLASS FILLABLE VERSION | GH MATERIAL TEST CERTIFICATES |
| ZM ELECTRO POLISHED CASE & BEZEL | PW FIVE POINT CALIBRATION CERTIFICATE NATIONAL/ INTERNATIONAL STANDARDS |

XX

Ordering Example: **P-39-X-X-XXX-(E13)-XX**