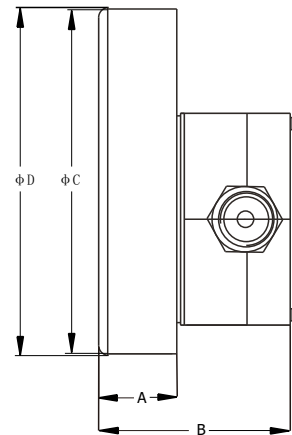
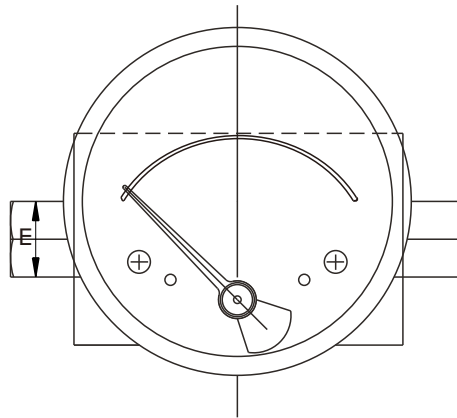


## SPECIFICATIONS

Accuracy	±3% Of The FSD (Ascending)
Migration	Minor From High To Low Port
Range	0-0.25 to 0-10bar/psi or psi/kPa Dual Scale
First Marking On The Scale	15% Of The FSD
Sensing Element	Magnetic Piston With Compression Spring
Wetted Parts	SS316,SS 302 Compression Spring,Seals & Ceramic Magnet
Case Material & Dial Size	Stainless Steel (SS 304):2.5",3.5",4.0" Engineering Polymer:2.5" Bayonet:4.0"
Mounting	Direct,Front Flange,2"Pipe & Surface Mounting
Maximum Working Pressure	100,250 & 400 bar
Maximum Process Temperature	0 to 80°C (32 to175°F)
Enclosure	Engineering Polymer
Seals	Buna-N & Viton
Window	Float Glass(std.),Toughened Glass,Acrylic & Safety Glass
Connection	1/4"BSP(F) Std. Optional 1/4"NPT(F)
Porting	In-line
Over Range Protection	Up To The Max.Working Pressure From High & Low Side
Protection For Gauge & Switch	IP 65



NS	A	B	φC	φD	E
2.5"	0.75"	1.73"	2.5"	2.6"	2.7"
3.5"	0.75"	1.73"	3.1"	3.1"	3.3"
4"	0.75"	1.73"	4.0"	4"	4.1"

## HOW TO ORDER

- 1.Series** P-22
- 2.Type** G Gauge  
GS Gauge + Switch
- 3.Body Material** S SS-316 Enclosed In Polymer Casing
- 4.Dial Size** 2.5 2.5"(63mm)  
3.5 3.5"(80mm)  
4.0 4.0"(100mm)
- 5.Connection** 4B 1/4"BSP(F)(Std.) 4N 1/4"NPT(F)  
ZZ Special Connection Sizes Using Adaptor
- 6.Porting** 1 In-Line
- 7.Case** S4 SS 304(Std.) S6 SS 316  
F4 SS 304 Flange  
EP Engineering Polymer(Available In 2.5" Only)  
BF Bayonet(Available In 4.0" Safety Glass Only)
- 8.Window** F Glass(std. ) A Acrylic  
T Toughened glass L Safety glass
- 9.Seals/Diaphragm** B Buna-N(std.) V Viton

### 10.Switch

- 0: NONE
- 1: ONE SPST, with a DIN plug
- 3: TWO SPSTs with DIN Plug

+

SPST Specification (AC/DC Max.)			
1 Standard	2	3	4
10 VA	40 VA	100 VA	60 VA
100 V	230 V	300 V	240 V
0.5 Amp	1 Amp	1 Amp	3 Amp
Adjustable	Adjustable	Adjustable	Adjustable

- 5: ONE SPDT, with DIN Plug
- 7: TWO SPDTs with DIN Plug

+

SPDT Specification (AC/DC Max.)			
1 Standard	2	3	4
3 VA	5 VA	5 VA	60 VA
30 V	125 V	175 V	400 V
0.3 Amp	0.25 Amp	0.25 Amp	1 Amp
Adjustable	Adjustable	Adjustable	Factory set

Example: Switch selection 11 is : 1 ONE SPST with DIN PLUG , with switch specifications 10 VA ,100V ,0.5 Amp

### 11.Range

Standard Ranges:(Other Ranges & Units On Request)

Bar	0.25	0.4	0.6	1.0	1.6	2.0	2.5	3.0	4.0	6.0	10.0
psi	3.5	6.0	9.0	15	24	30	36	45	60	90	140

### 12.Options

- 0 None
- 250 Max.Working Pressure 250bar
- 400 Max.Working Pressure 400bar
- A Glycerine\*
- B Red Follower Pointer On Acrylic Window\*
- C Customer Logo
- D Dual Scale
- E Colour Band(Available In Single Scale Only)
- F Filter Mesh In(+) Connection
- G Reverse Port\*\*
- S Silicone Oil\*
- M1 2" Horizontal Pipe Mounting Bracket
- M2 Surface Mounting Bracket
- M3 2" vertical pipe Mounting Bracket
- M4 Engineering Polymer Mounting Bracket

\*Affects Accuracy

\*\*Pointer Moves From Right To Left

