

SPECIAL FEATURES

- Standard Followed ASME-B 40.1 / EN837-3
- Wetted Parts AISI 316L Stainless Steel
- Build in Stabilizer Movement
- Diaphragm Seal Integrally Built With Gauge
- Dry or Liquid Version
- NACE MR 0175 Compliance
- Helium Leak Tested
- Provides Best Hygiene Factor
- IP 65

SPECIFICATIONS

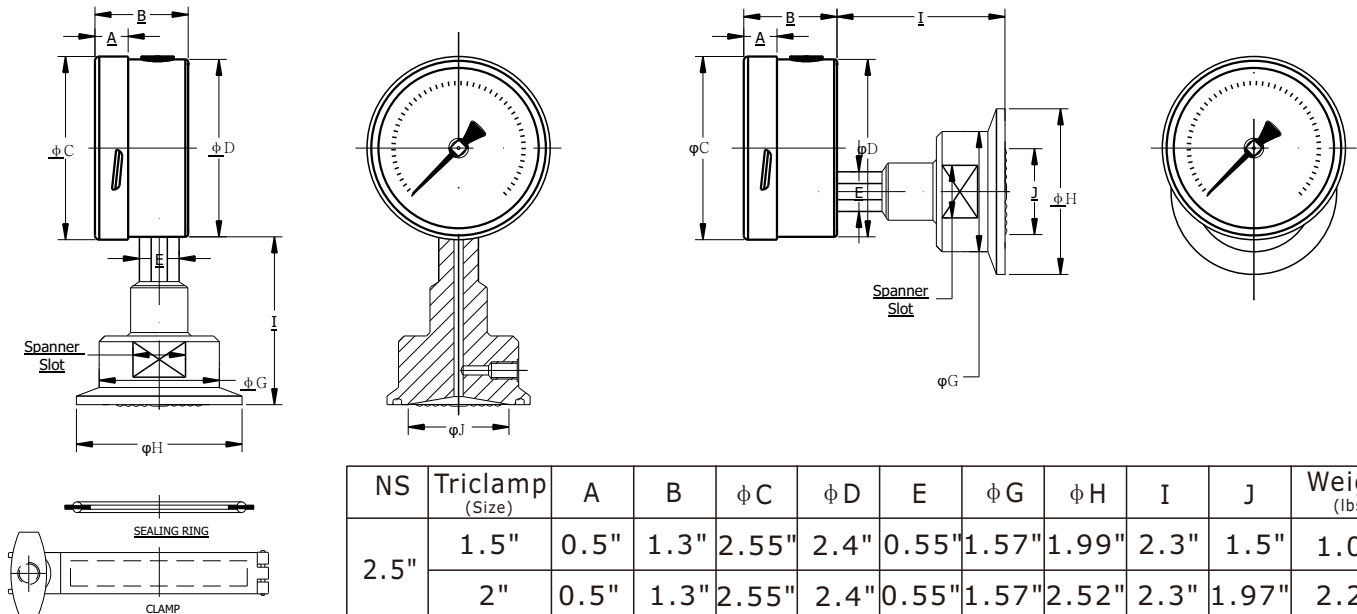
- Ambient Temperature: -4°F(-20°C) to + 150°F(+65°C)
- Process Temperature: Max.212°F (100°C)
- Operating Pressure Range: 75% of Scale Value
- Over Pressure Limit: 125% of Max.Scale Value
- Case: AISI 304 SS
- Joints: Tig Argon Arc Welding
- Socket: AISI 316L SS
- Bourdon: AISI 316L SS
- Movement: AISI 304 SS
- Diaphragm: AISI 316L SS
- Sanitary Seal: 1 1/2" in AISI 316 SS
- Dial: Aluminum
- Pointer: Fixed/Micro Zero Adjustable
- Window: Safety Glass
- Range: Vacuum to 600psi



ACCURACY AS PER ASME B.40.1

- 2.5"/3" : 2-1-2 (GRADE A)
- 4" : 1-1-1 (GRADE 1A)

*Please consult factory for better accuracy availability.



NS	Triclamp (Size)	A	B	φC	φD	E	φG	φH	I	J	Weight (lbs)
2.5"	1.5"	0.5"	1.3"	2.55"	2.4"	0.55"	1.57"	1.99"	2.3"	1.5"	1.01
	2"	0.5"	1.3"	2.55"	2.4"	0.55"	1.57"	2.52"	2.3"	1.97"	2.29
3"	1.5"	0.5"	1.5"	3.1"	3.05"	0.67"	1.57"	1.99"	2.3"	1.5"	1.56
	2"	0.5"	1.5"	3.1"	3.05"	0.67"	1.57"	2.52"	2.3"	1.97"	2.54
4"	1.5"	0.6"	1.9"	4"	3.9"	0.87"	1.57"	1.99"	2.3"	1.5"	1.81
	2"	0.6"	1.9"	4"	3.9"	0.87"	1.57"	2.52"	2.3"	1.97"	3.26

HOW TO ORDER

Example

NOMINAL SIZE

	D	E	F	
	2.5"	3"	4"	X

TYPE OF MOUNTING

2	BOTTOM			
3	LOWER BACK			
4	CENTER BACK			X

SANITARY SEAL (For 1" size sanitary seal, consult factory for drawing, price and delivery.)

				XXX
YO	2" SANITARY SEAL IN AISI 316SS	YP	2 1/2" SANITARY SEAL IN AISI 316 SS	
YN	1 1/2" SANITARY SEAL IN AISI 316SS (Standard)			

BODY

				XX
CL	AISI 316SS (Standard)	CM	AISI 316L SS	

DIAPHRAGM

				XX
UJ	AISI 316L (Standard)			

FILLING FLUIDS

				XX
UV	FOOD GRADE OIL (-20 TO 140°C / -4 TO 284°F) (Standard)			

CLAMP

				XX
ZO	1 1/2" CLAMP IN AISI 304	ZQ	2 1/2" CLAMP IN AISI 304	
ZP	2" CLAMP IN AISI 304			

GASKET (SEALING RING)

				XX
FX	1 1/2" SILICON GASKET	FZ	2 1/2" SILICON GASKET	
FY	2" SILICON GASKET			

BOTTOM MATING PART

				XX
KB	2 1/2" SANITARY SEAL IN AISI 316	KD	2 1/2" SANITARY SEAL IN AISI 316	
KD	1 1/2" SANITARY SEAL IN AISI 316			

Example

RANGE

E13

CODE	E1	E2	E3	E4	E5	E6	E7	E8	E9
RANGE (psi)	-30"hg	-30"hg-15	-30"hg-30	-30"hg-60	-30"hg-100	-30"hg-160	-30"hg-200	-30"hg-300	15
CODE	E10	E11	E12	E13	E14	E15	E16	E17	E18
RANGE (psi)	30	60	100	160	200	300	400	500	600

OPTIONAL EXTRAS

XX

- | | |
|--|---|
| TB HELIUM LEAK TEST | ZM ELECTRO POLISHED CASE & BEZEL |
| SD AISI 316 SS MOVEMENT | CK EPOXY PAINTED CASE & BEZEL |
| SF MOVEMENT WITH DAMPENING JELLY | SQ CASE WITH ROLLING TYPE BEZEL |
| RI 25mm BOD | OS CASE WITH BAYONET TYPE BEZEL |
| SI KNIFE EDGE POINTER | PS AISI 316 SS CASE & BEZEL |
| RG ANTI PARALLAX MIRROR BAND DIAL | KA ON-OFF TYPE VENT PLUG |
| RH CUSTOM DESIGNED DIAL | SX SS TAG PLATE |
| ZB RECEIVER RANGE | SY AISI 316SS TAG PLATE |
| AT ATEX (AS PER 2014/34/EU) | QB INTEGRAL DAMPENING SCREW (AISI 316 SS) |
| SW DIAL TAG MARKING | FG FILLABLE LIQUID GLYCERINE |
| RW PLEXI GLASS | PY DAMPENING LIQUID GLYCERINE OIL FILLED |
| RX SHATTERPROOF /SAFETY GLASS | PZ DAMPENING LIQUID MINERAL LIQUID FILLED |
| RZ TOUGHENED GLASS | GH MATERIAL TEST CERTIFICATES |
| SJ MAXIMUM READING POINTER WITH PLEXI GLASS
FILLABLE VERSION | PW FIVE POINT CALIBRATION CERTIFICATE NATIONAL/
INTERNATIONAL STANDARDS |

Ordering Example: P-20-X-X-XXX-XX-XX-XX-XX-XX-XX-(E13)-XX