

SPECIAL FEATURES

Standard Followed ASME-B 40.1 / EN837-1
 Forged Brass Case
 Rugged Construction
 Dry or Liquid Version
 IP 65

SPECIFICATIONS

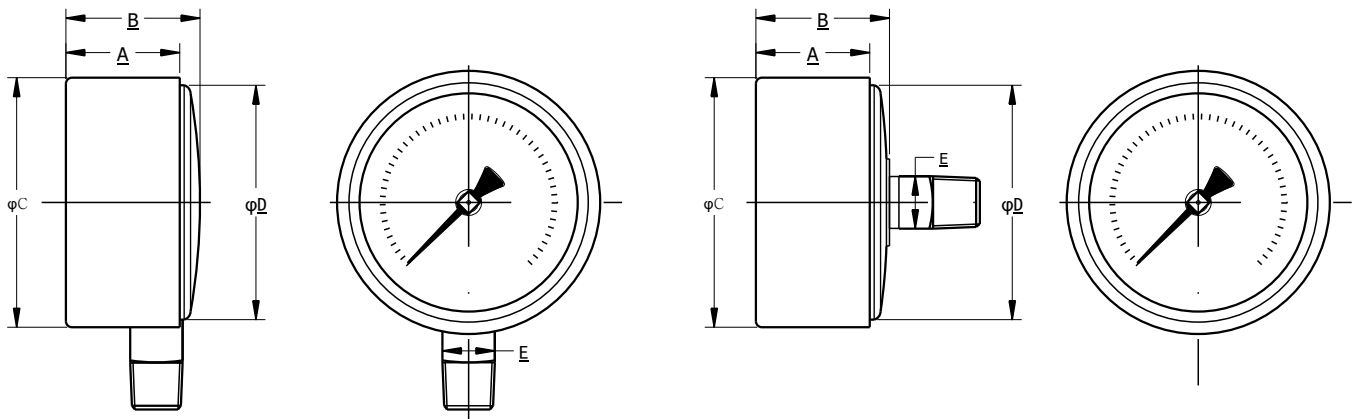
Ambient Temperature: -4°F(-20°C) to + 150°F (+65°C)
 Process Temperature: Max.248°F (120°C)
 Operating Pressure Range: 75% of Scale Value
 Over Pressure Limit: 125% of Max.Scale Value
 Case: Forged brass
 Joints: Alloy brazing/Soldering
 Socket: Copper Alloy
 Bourdon: Copper Alloy
 Movement: Copper Alloy
 Dial: Aluminum
 Pointer: Fixed
 Window: PC Lens
 Range: Vacuum to 6000PSI



ACCURACY AS PER ASME B.40.1

2.5" : 2-1-2(GRADE A)

*Please consult factory for better accuracy availability.



NS	A	B	φC	φD	E	Weight (lbs)
2.5"	1.2"	1.46"	2.58"	2.4"	0.55"	0.75

NS	A	B	φC	φD	E	Weight (lbs)
2.5"	1.2"	1.46"	2.58"	2.4"	0.55"	0.75

HOW TO ORDER

Example

NOMINAL SIZE

D

X

2.5"

TYPE OF MOUNTING

X

- 2 BOTTOM
- 4 CENTER BACK
- 7 CENTER BACK WITH FRONT FLANGE
- 8 CENTER BACK WITH MOUNTING BRACKET

GAUGE CONNECTION

XXX

- 2BM** 1/4" BSP(M)
- 2NM** 1/4" NPT(M)
- 3BM** 3/8" BSP(M)
- 3NM** 3/8" NPT(M)
- 4BM** 1/2" BSP(M)
- 4NM** 1/2" NPT(M)
- 4MM** M20 X 1.5(M)

***Please consult factory for any special connections

RANGE

E13

CODE	E1	E2	E3	E4	E5	E6	E7	E8	E9	E10	E11	E12	E13
RANGE (psi)	-30"hg	-30"hg-15	-30"hg-30	-30"hg-60	-30"hg-100	-30"hg-160	-30"hg-200	-30"hg-300	15	30	60	100	160
CODE	E14	E15	E16	E17	E18	E19	E20	E21	E22	E23	E24	E25	E26
RANGE (psi)	200	300	400	500	600	800	1000	1500	2000	3000	4000	5000	6000

OPTIONAL EXTRAS

XX

- | | |
|--|---|
| SF MOVEMENT WITH DAMPENING JELLY | FS FILLABLE LIQUID SILICON OIL |
| RH CUSTOM DESIGNED DIAL | FG FILLABLE LIQUID GLYCERINE |
| SW DIAL TAG MARKING | PY DAMPENING LIQUID GLYCERINE OIL FILLED |
| RW PLEXI GLASS | QA DAMPENING LIQUID SILICON OIL FILLED |
| SQ CASE WITH ROLLING TYPE BEZEL | GH MATERIAL TEST CERTIFICATES |
| SX SS TAG PLATE | PW FIVE POINT CALIBRATION CERTIFICATE NATIONAL/
INTERNATIONAL STANDARDS |
| SY AISI 316SS TAG PLATE | |
| FK INTEGRAL DAMPENING SCREW (BRASS) | |

Ordering Example: P-18-X-X-XXX-(E13)-XX