

SPECIAL FEATURES

- Standard Followed ASME-B 40.1 / EN837-1
- Wetted Parts AISI 316L Stainless Steel
- Build in Stabilizer Movement
- Dry or Liquid Version
- NACE MR 0175 Compliance
- Helium Leak Tested
- 40mm Temperature Compensated Blow Out Disc
- Internal Vacuum/ Over Pressure Stops
- IP 66



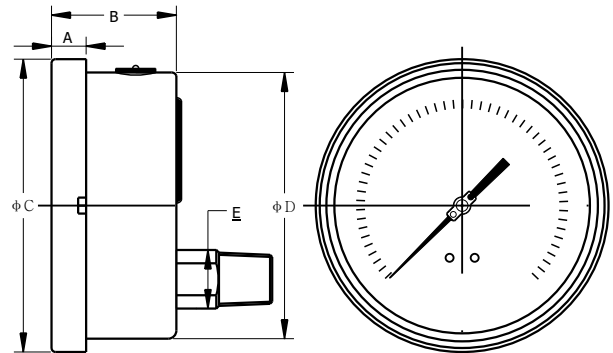
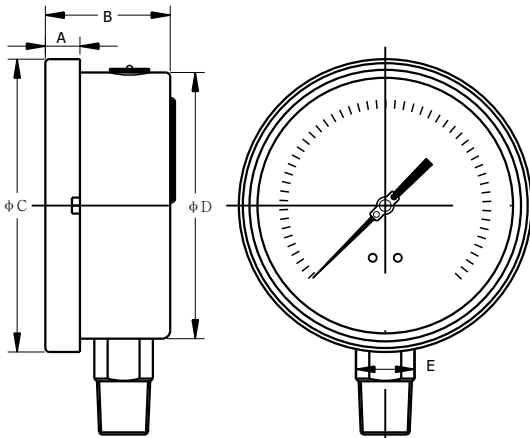
SPECIFICATIONS

- Ambient Temperature: -4°F(-20°C) to +150°F(+65°C)
- Process Temperature: Max. 392°F(200°C)
- Operating Pressure Range: 75% of Scale Value
- Over Pressure Limit: 125% of Max. Scale Value
- Case: AISI 304SS
- Joints: Tig Argon Arc Welding
- Socket: AISI 316L SS
- Bourdon: AISI 316L SS
- Movement: AISI 304 SS
- Dial: Aluminum
- Pointer: Micro Zero Adjustable
- Window: Safety Glass
- Range: Vacuum to 10,000PSI

ACCURACY AS PER ASME B.40.1

4"/4.5"/6" : 1-1-1 (GRADE 1A)

*Please consult factory for better accuracy availability.



NS	A	B	φC	φD	E	Weight (lbs)
4"	0.5"	1.87"	4.4"	4"	0.87"	1.32
4.5"	0.6"	1.87"	5"	4.5"	0.87"	1.50
6"	0.6"	1.87"	6.4"	5.9"	0.87"	2.65

NS	A	B	φC	φD	E	Weight (lbs)
4"	0.5"	1.87"	4.4"	4"	0.87"	1.32
4.5"	0.6"	1.87"	5"	4.5"	0.87"	1.50
6"	0.6"	1.87"	6.4"	5.9"	0.87"	2.65

HOW TO ORDER

Example

NOMINAL SIZE

F	G	H
4"	4.5"	6"

X

TYPE OF MOUNTING

- 1 WALL/SURFACE/PROJECTION MOUNTING WITH BOTTOM
- 2 BOTTOM
- 3 LOWER BACK
- 5 LOWER BACK WITH FRONT FLANGE
- 6 LOWER BACK WITH MOUNTING BRACKET

X

GAUGE CONNECTION

- 2BM** 1/4" BSP(M)
- 2NM** 1/4" NPT(M)
- 3BM** 3/8" BSP(M)
- 3NM** 3/8" NPT(M)
- 4BM** 1/2" BSP(M)
- 4NM** 1/2" NPT(M)
- 4MM** M20 X 1.5(M)

***Please consult factory for any special connections

XXX

RANGE

CODE	E1	E2	E3	E4	E5	E6	E7	E8	E9	E10	E11	E12	E13	E14
RANGE (psi)	-30"hg	-30"hg-15	-30"hg-30	-30"hg-60	-30"hg-100	-30"hg-160	-30"hg-200	-30"hg-300	15	30	60	100	160	200
CODE	E15	E16	E17	E18	E19	E20	E21	E22	E23	E24	E25	E26	E27	E28
RANGE (psi)	300	400	500	600	800	1000	1500	2000	3000	4000	5000	6000	7500	10000

E13

OPTIONAL EXTRAS

- | | |
|---|--|
| <ul style="list-style-type: none"> SG OXYGEN SERVICE (FOR DRY VERSION) OA ACCURACY + 0.5% OF F.S. TI MONEL BOURDON & SOCKET (MONEL VERSION) TF TESTED TO NACE STANDARD TB HELIUM LEAK TEST SD AISI 316 SS MOVEMENT SF MOVEMENT WITH DAMPENING JELLY RI 25mm BOD SI KNIFE EDGE POINTER FN 2" PIPE/YOKE MOUNTING BRACKET & 'U' CLAMP (AISI 316 SS) RG ANTI PARALLAX MIRROR BAND DIAL RH CUSTOM DESIGNED DIAL ZB RECEIVER RANGE AT ATEX (AS PER 2014/34/EU) ZC FREON RANGE (WITH TEMPERATURE SCALE) ZD AMMONIA RANGE (WITH TEMPERATURE SCALE) SW DIAL TAG MARKING RW PLEXI GLASS RX SHATTERPROOF /SAFETY GLASS RZ TOUGHENED GLASS SJ MAXIMUM READING POINTER WITH PLEXI GLASS FILLABLE VERSION | <ul style="list-style-type: none"> ZM ELECTRO POLISHED CASE & BEZEL CK EPOXY PAINTED CASE & BEZEL SQ CASE WITH ROLLING TYPE BEZEL OS CASE WITH BAYONET TYPE BEZEL PS AISI 316 SS CASE & BEZEL KA ON-OFF TYPE VENT PLUG SX SS TAG PLATE SY AISI 316SS TAG PLATE SA INTERNAL OVERPRESSURE STOP SB INTERNAL VACUUM STOP ZL OVER RANGE PROTECTION QB INTEGRAL DAMPENING SCREW (AISI 316 SS) FL INTEGRAL DAMPENING SCREW (MONEL) FS FILLABLE LIQUID SILICON OIL FG FILLABLE LIQUID GLYCERINE ZZ DIELECTRIC OIL FILLED PX DAMPENING LIQUID FLOUROLUBE FILLED PY DAMPENING LIQUID GLYCERINE OIL FILLED PZ DAMPENING LIQUID MINERAL LIQUID FILLED QA DAMPENING LIQUID SILICON OIL FILLED GH MATERIAL TEST CERTIFICATES PW FIVE POINT CALIBRATION CERTIFICATE NATIONAL/ INTERNATIONAL STANDARDS |
|---|--|

XX

Ordering Example: P-11-X-X-XXX-(E13)-XX