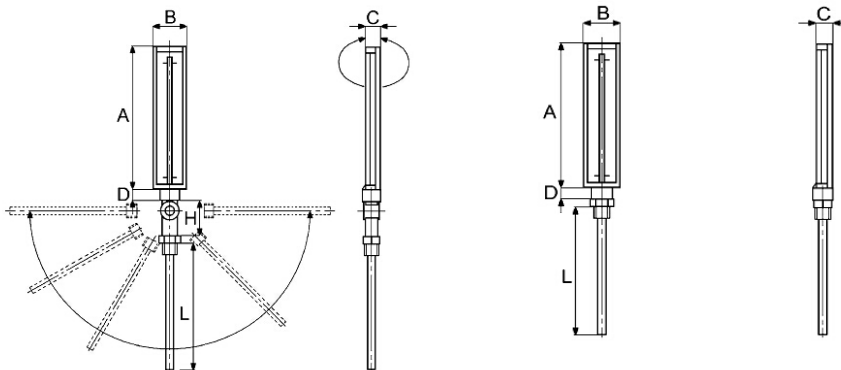


Case : 7" & 9" Plastic or Aluminium
 Window : Glass
 Dial : V-shaped Aluminium
 Tube : Blue or Red Liquid Filled
 Type : Adjustable angle connection /
 Straight Connection
 Stem : Aluminium, 0.433" (11mm), 3.5" -
 standard Union : 1-1/4" UNF Brass
 Scale : Single or Double scale
 Accuracy : $\pm 1.0\%$ full range
 Range : -40-110 F / -40-40 C
 0-120 F / -15-45 C
 0-160 F / -10-70 C
 30-180 F / 0-80 C
 30-240 F / 0-110 C
 30-300 F / 0-150 C
 50-400 F / 20-200 C
 50-550 F / 25-275 C
 OR CUSTOMIZE

Thermowell : Brass



DN	A	B	C
180 × 55	185	55	24
250 × 55	250	55	24

