

**SPECIAL FEATURES**

- Phenolic Case With Solid Front Design
- Blow Out Back
- With Diaphragm Seal
- Standard Followed ASME -B.40.1
- Helium Leak Tested
- Built In Stabilizer Movement
- Ready For Oxygen Use
- Internal Vacuum /Over Pressure Stop
- IP:66



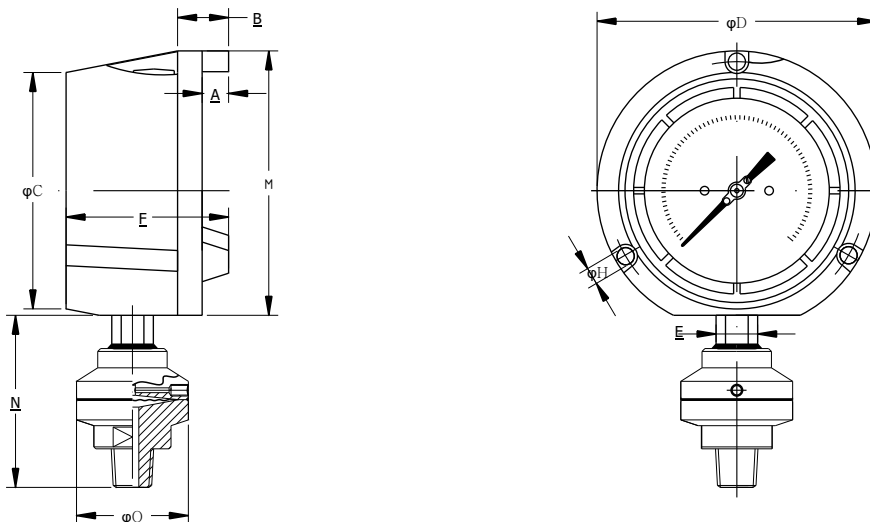
**SPECIFICATIONS**

- Ambient Temperature: -4°F(-20°C) to + 150°F(+65°C)
- Process Temperature: Max.392°F (200°C)
- Operating Pressure Range: 75% of Scale Value
- Over Pressure Limit: 150% of Max.Scale Value
- Case: Phenolic
- Joints: Tig Argon Arc Welding
- Socket: AISI 316L SS
- Diaphragm: AISI 316L SS
- Movement: AISI 304 SS
- Dial:Aluminum
- Pointer: Micro Zero Adjustable
- Window: Safety Glass
- Range: Vacuum to 6,000psi

**ACCURACY AS PER ASME B.40.1**

4.5" : 0.5-0.5-0.5 (GRADE 2A )

\*Please consult factory for better accuracy availability.



NS	A	B	φC	φD	E	F	φG	φH	M	N	φO	Weight (lbs)
4.5"	0.6"	1"	5.1"	5.8"	0.87"	3.4"	5.4"	0.2"	5.6"	3.3"	2"	3.26

## HOW TO ORDER

### NOMINAL SIZE

G  
4.5"

Example

X

### TYPE OF MOUNTING

2 BOTTOM

X

### SEAL BODY

**CL** AISI 316 SS (Standard)

**CM** AISI 316L SS

XXX

### DIAPHRAGM

**UJ** AISI 316 SS (Standard)

**UM** MONEL

**UR** TITANIUM

**UQ** TANTALUM

**UL** HASTELLOY "C"

**UP** SILVER

**UW** INCONEL 600

XX

### PROCESS CONNECTION

**WE** 1/4" BSP(F) (Standard)

**WC** 3/8" BSP(F)

**WD** 1/2" BSP(F)

**WJ** 3/4" BSP(F)

**WI** 1/4" NPT(F)

**WH** 1/2" NPT(F)

**WL** 3/4" NPT(F)

**WY** 1/4" NPT(M)

**WA** 1/2" NPT(M)

**WK** 3/4" NPT(M)

**WS** 1/4" BSP(M)

**WT** 3/8" BSP(M)

**WU** 1/2" BSP(M) (Standard)

**WF** 3/4" BSP(M)

XX

NOTE: Connections like metric, PT/PF/Flaired/UNF/G/R etc can be provided on request.

### FILLING FLUIDS (\*Consult factory for specifications, price and delivery.)

**US** FLUOROLUBE 4.2 [-45 to 175°C]

**UT** FLUOROLUBE 6.3 [-40 to 235°C]

**UU** FLUOROLUBE FS-5 [-28 to 148°C]

**UV** FOOD GRADE OIL [-20 to 140°C]

**UX** SILICON DC 200 [-40 to 205°C] (Standard)

**UY** SILICON DC 704 [10 to 337°C]

**UZ** SILICON DC 710 [7 to 371°C]

**VA** SYLTHERM 800 [-40 to 315°C]

**VB** SYLTHERM XLT [-100 to 260°C]

**VC** HALOCARBON OIL\*

XX

### REMOTE MOUNTING (With capillary of Max. Up to 2 Mtrs.)

SPECIFY IN METERS (eg. 1.5=1.5 METERS 2.0=2 METERS)

X

Example

## CAPILLARY

**PE** AISI 304 SS                                      **PG** AISI 316 SS

X

## CAPILLARY COVERED WITH ARMOUR (Applicable with PE or PG if selected)

**PF** AISI 304 SS                                      **PH** AISI 316 SS                                      **PI** PVC

XXX

## RANGE

CODE	E1	E2	E3	E4	E5	E6	E7	E8	E9	E10	E11	E12	E13
<small>RANGE (psi)</small>	-30"hg	-30"hg-15	-30"hg-30	-30"hg-60	-30"hg-100	-30"hg-160	-30"hg-200	-30"hg-300	15	30	60	100	160
CODE	E14	E15	E16	E17	E18	E19	E20	E21	E22	E23	E24	E25	E26
<small>RANGE (psi)</small>	200	300	400	500	600	800	1000	1500	2000	3000	4000	5000	6000

E13

## OPTIONAL EXTRAS

- |  |  |
|--|--|
| <p><b>SG</b> OXYGEN SERVICE (FOR DRY VERSION)<br/> <b>TI</b> MONEL BOURDON &amp; SOCKET (MONEL VERSION)<br/> <b>TF</b> TESTED TO NACE STANDARD<br/> <b>TB</b> HELIUM LEAK TEST<br/> <b>SD</b> AISI 316 SS MOVEMENT<br/> <b>SF</b> MOVEMENT WITH DAMPENING JELLY<br/> <b>SI</b> KNIFE EDGE POINTER<br/> <b>RG</b> ANTI PARALLAX MIRROR BAND DIAL<br/> <b>RH</b> CUSTOM DESIGNED DIAL<br/> <b>ZB</b> RECEIVER RANGE<br/> <b>AT</b> ATEX (AS PER 2014/34/EU)<br/> <b>ZC</b> FREON RANGE (WITH TEMPERATURE SCALE)<br/> <b>ZD</b> AMMONIA RANGE (WITH TEMPERATURE SCALE )<br/> <b>SW</b> DIAL TAG MARKING<br/> <b>RW</b> PLEXI GLASS<br/> <b>RX</b> SHATTERPROOF /SAFETY GLASS<br/> <b>RZ</b> TOUGHENED GLASS</p> | <p><b>SJ</b> MAXIMUM READING POINTER WITH PLEXI GLASS FILLABLE VERSION<br/> <b>SX</b> SS TAG PLATE<br/> <b>SA</b> INTERNAL OVERPRESSURE STOP<br/> <b>SB</b> INTERNAL VACUUM STOP<br/> <b>ZL</b> OVER RANGE PROTECTION<br/> <b>QB</b> INTEGRAL DAMPENING SCREW (AISI 316 SS)<br/> <b>FL</b> INTEGRAL DAMPENING SCREW (MONEL)<br/> <b>FS</b> FILLABLE LIQUID SILICON OIL<br/> <b>FG</b> FILLABLE LIQUID GLYCERINE<br/> <b>ZZ</b> DIELECTRIC OIL FILLED<br/> <b>PX</b> DAMPENING LIQUID FLOUROLUBE FILLED<br/> <b>PY</b> DAMPENING LIQUID GLYCERINE OIL FILLED<br/> <b>PZ</b> DAMPENING LIQUID MINERAL LIQUID FILLED<br/> <b>QA</b> DAMPENING LIQUID SILICON OIL FILLED<br/> <b>GH</b> MATERIAL TEST CERTIFICATES<br/> <b>PW</b> FIVE POINT CALIBRATION CERTIFICATE NATIONAL/ INTERNATIONAL STANDARDS</p> |
|--|--|

XX

\*\*\*Please consult factory for any special connections

**Ordering Example: P-33-X-X-XXX-XX-XX-XX-X-X-XXX-(E13)-XX**