

SPECIAL FEATURES

Stainless Steel Case & Measuring System
 Flanged Or Screwed Connection
 Standard Followed AMSE –B.40.1 / EN837-3
 Oil Filled Vibration Proof Type is Optional
 IP:65

SPECIFICATIONS

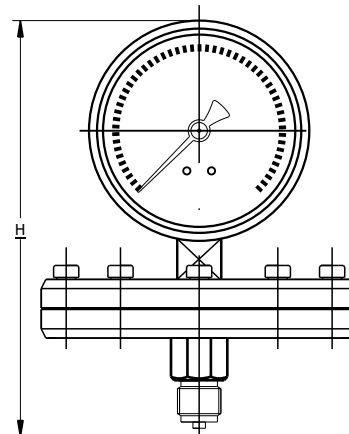
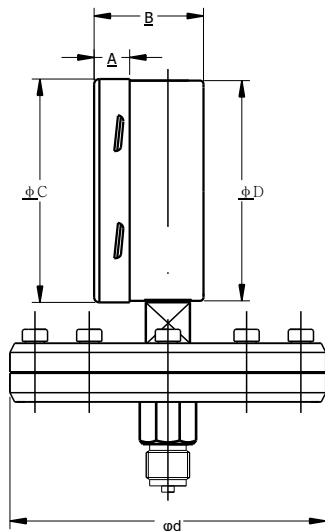
Ambient Temperature: -4°F(-20°C) to +150°F (+65°C)
 Process Temperature: Max.212°F (+100°C)
 Operating Pressure Range: 75% of Scale Value
 Over Pressure Limit: 125% of Max.Scale Value
 Case: AISI 304 SS
 Joints: Tig Argon Arc Welding
 Socket: AISI 316L SS
 Diaphragm: AISI 316L SS
 Movement: AISI 304 SS
 Dial:Aluminum
 Pointer: Micro Zero Adjustable
 Window: Safety Glass
 Range: 15"WC-200psi



ACCURACY AS PER ASME B.40.1

4"/6" : 2-1-2 (GRADE A)

*Please consult factory for better accuracy availability.



NS	A	B	φ C	φ d	SW	H	Weight (lbs)
4"	0.7"	1.97"	4.4"	4"	0.9"	7.3"	6.62
6"	0.7"	1.97"	6.4"		0.9"	9.6"	7.76
4"	0.7"	1.97"	4.4"	6"	0.9"	7.3"	6.62
6"	0.7"	1.97"	6.4"		0.9"	9.6"	7.76

HOW TO ORDER

Example

NOMINAL SIZE

F H
4" 6"

X

TYPE OF MOUNTING

2 BOTTOM

X

GAUGE CONNECTION

2BM 1/4" BSP(M)
2NM 1/4" NPT(M)
3BM 3/8" BSP(M)
3NM 3/8" NPT(M)
4BM 1/2" BSP(M)
4NM 1/2" NPT(M)
4MM M20 X 1.5(M)

***Please consult factory for any special connections

XXX

ELECTRIC CONTACTS

A) SINGLE INSULATED MAGNETIC SNAP ACTION TYPE*
 (230 V AC, 1 Amp.) (48 V DC, 0.5 Amp)

B) INDUCTIVE TYPE (220 V AC, 0.4 Amp.)

RJ Single; NORMALLY CLOSED(1NC)
RK Double; NORMALLY CLOSED+NORMALLY OPEN(1NC+1NO)
RL Single; NORMALLY OPEN(1NO)
RM Double; NORMALLY OPEN+NORMALLY CLOSED(1NO+1NC)
RN Double; NORMALLY CLOSED (BOTH NC)
RO Double; NORMALLY OPEN(BOTH NO)
RU BOOSTER WITH RELAY FOR CURRENT UPTO 5 Amp
RA SPDT
RC DPDT

YW Single; NORMALLY OPEN(1NO)
YV Single; NORMALLY CLOSED(1NC)
YX Double; NORMALLY CLOSED+NORMALLY OPEN(1NC+1NO)
YY Double; NORMALLY OPEN(BOTH NO)
YZ Double; NORMALLY CLOSED(BOTH NC)
ZA Double; NORMALLY OPEN+NORMALLY CLOSED(1NO+1NC)

*FOR DOUBLE INSULATED ELECTRICAL CONTACTS, CONSULT FACTORY FOR PRICE & DELIVERY.

X

DIAPHRAGM

UJ AISI 316L SS(Standard) **UR** TITANIUM
UM MONEL **UQ** TANTALUM **UL** HASTELLOY'C

X

RANGE

CODE	LPE7	LPE8	LPE9	LPE10	LPE11	LPE12	
RANGE ("WC)	15"WC	30"WC	35"WC	60"WC	100"WC	160"WC	
CODE	LPE13	LPE14	LPE15	LPE16	LPE17	LPE18	LPE19
RANGE (psi)	10psi	15psi	30psi	60psi	100psi	160psi	200psi

LPE9

OPTIONAL EXTRAS

SD AISI 316 SS MOVEMENT **ZM** ELECTRO POLISHED CASE & BEZEL
RG ANTI PARALLAX MIRROR BAND DIAL **CK** EPOXY PAINTED CASE & BEZEL
RH CUSTOM DESIGNED DIAL **OS** CASE WITH BAYONET TYPE BEZEL
SW DIAL TAG MARKING **PS** AISI 316 SS CASE & BEZEL
RW PLEXI GLASS **SX** SS TAG PLATE
RX SHATTERPROOF /SAFETY GLASS **GH** MATERIAL TEST CERTIFICATES
RZ TOUGHENED GLASS **PW** FIVE POINT CALIBRATION CERTIFICATE NATIONAL/
SY AISI 316 SS TAG PLATE INTERNATIONAL STANDARDS

XX

Ordering Example: P-13-X-X-XXX-X-X-(LPE9)-XX