

THERMOWELLS

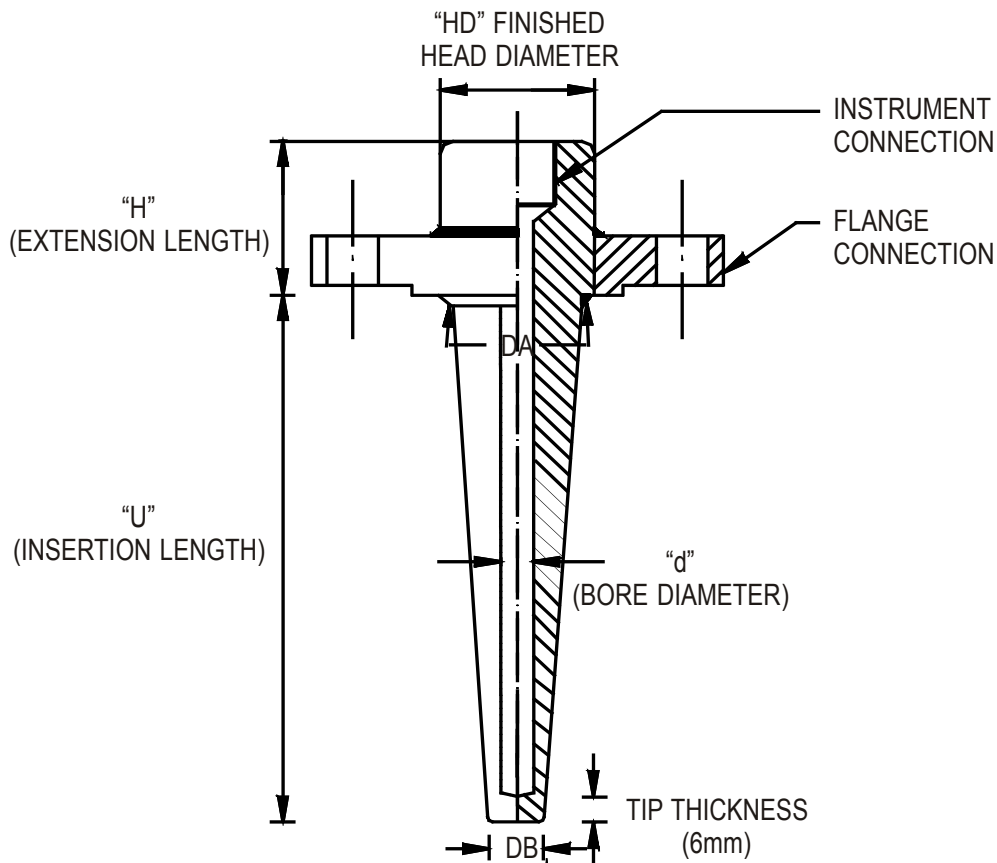
FLANGED TAPERED TYPE

EI3



SPECIAL FEATURES

- FABRICATED FROM BAR STOCK
- STANDARD FOR MANUFACTURING FOLLOWED- PTC 19.3
- THERMOWELL AVAILABLE IN EXOTIC MATERIALS SUCH AS HASTALLOY-C, TANTALUM, MONEL, TITANIUM, INCONEL 600 ETC
- THERMOWELLS ARE USED AS AN ACCESSORY WITH TEMPERATURE INSTRUMENTS, SENSORS, TO PROTECT ITS BASIC SENSING ELEMENT FROM CORROSIVE AND MECHANICAL DAMAGES DUE TO PROCESS PARAMETERS



THERMOWELLS

FLANGED TAPERED TYPE

FLANGE CONNECTION CODES

AS PER DIN 2527

EI3

DN	PN	CODE
10	6	A01
	10	A02
	16	A03
	25	A04
	40	A05
	64	A06
	100	A07
	160	A08
	250	A09
	400	A10
15	6	A11
	10	A12
	16	A13
	25	A14
	40	A15
	64	A16
	100	A17
	160	A18
	250	A19
	400	A20
20	6	A21
	10	A22
	16	A23
	25	A24
	40	A25
25	6	A26
	10	A27
	16	A28
	25	A29
	40	A30
	64	A31
	100	A32
	160	A33
	250	A34
400	A35	

DN	PN	CODE
32	6	A36
	10	A37
	16	A38
	25	A39
	40	A40
40	6	A41
	10	A42
	16	A43
	25	A44
	40	A45
	64	A46
	100	A47
	160	A48
	250	A49
	400	A50
50	6	A51
	10	A52
	16	A53
	25	A54
	40	A55
	64	A56
	100	A57
	160	A58
	250	A59
	400	A60

DN	PN	CODE
65	6	A61
	10	A62
	16	A63
	25	A64
	40	A65
	64	A66
	100	A67
	160	A68
	250	A69
	400	A70
80	6	A71
	10	A72
	16	A73
	25	A74
	40	A75
	64	A76
	100	A77
	160	A78
	250	A79
	400	A80

AS PER DIN 2642

DN	PN	CODE
10	10	A90
15		A91
20		A92
25		A93
32		A94
40		A95
50		A96
65		A97
80		A98

AS PER DIN 2633

DN	PN	CODE
10	16	A81
15		A82
20		A83
25		A84
32		A85
40		A86
50		A87
65		A88
80		A89

AS PER DIN 2635

DN	PN	CODE
10	40	A99
15		B01
20		B02
25		B03
32		B04
40		B05
50		B06
65		B07
80		B08

THERMOWELLS

FLANGED TAPERED TYPE

EI3

AS PER ANSI B 16.5

NOMINAL SIZE	RATING /CLASS	CODE	NOMINAL SIZE	RATING /CLASS	CODE	NOMINAL SIZE	RATING /CLASS	CODE	NOMINAL SIZE	RATING /CLASS	CODE
1/2"	150	B09	1"	150	B21	1/2"	150	B33	2 1/2"	150	B45
	300	B10		300	B22		300	B34		300	B46
	600	B11		600	B23		600	B35		600	B47
	900	B12		900	B24		900	B36		900	B48
	1500	B13		1500	B25		1500	B37		1500	B49
	2500	B14		2500	B26		2500	B38		2500	B50
3/4"	150	B15	1 1/4"	150	B27	2	150	B39	3"	150	B51
	300	B16		300	B28		300	B40		300	B52
	600	B17		600	B29		600	B41		600	B53
	900	B18		900	B30		900	B42		900	B54
	1500	B19		1500	B31		1500	B43		1500	B55
	2500	B20		2500	B32		2500	B44		2500	B56

AS PER JIS - B 2210

NOMINAL SIZE	RATING /CLASS	CODE	NOMINAL SIZE	RATING /CLASS	CODE	NOMINAL SIZE	RATING /CLASS	CODE
10	5K	B57	25	5K	B66	50	5K	B75
	10K	B58		10K	B67		10K	B76
	40K	B59		40K	B68		40K	B77
15	5K	B60	32	5K	B69	65	5K	B78
	10K	B61		10K	B70		10K	B79
	40K	B62		40K	B71		40K	B80
20	5K	B63	40	5K	B72	80	5K	B81
	10K	B64		10K	B73		10K	B82
	40K	B65		40K	B74		40K	B83

AS PER BS - 10

NOMINAL SIZE	TABLE	CODE	NOMINAL SIZE	TABLE	CODE	NOMINAL SIZE	TABLE	CODE	NOMINAL SIZE	TABLE	CODE
1/2"	D	B84	1"	D	B96	1 1/2"	D	C09	2 1/2"	D	C21
	E	B85		E	B97		E	C10		E	C22
	F	B86		F	B98		F	C11		F	C23
	H	B87		H	B99		H	C12		H	C24
	J	B88		J	C01		J	C13		J	C25
	K	B89		K	C02		K	C14		K	C26
3/4"	D	B90	1 1/4"	D	C03	2"	D	C15	3"	D	C27
	E	B91		E	C04		E	C16		E	C28
	F	B92		F	C05		F	C17		F	C29
	H	B93		H	C06		H	C18		H	C30
	J	B94		J	C07		J	C19		J	C31
	K	B95		K	C08		K	C20		K	C32

RAISED FACE : A2, FLAT FACE : A3, RING TYPE JOINT : A4

HOW TO ORDER

e.g. FOR FLANGE SIZE OF 1 1/2" AS PER BS-10 TABLE E WITH RAISED FACE : C10.A2

NOTE : PLEASE MENTION SEPARATELY FINISH OF THE FLANGE

THERMOWELLS

FLANGED TAPERED TYPE



HOW TO ORDER

BASIC MODEL

MATERIAL

TN	CARBON STEEL	GQ	INCONEL 600
TK	AISI 304SS	TT	HASTEALLOY 'C'
TM	AISI 316SS	UH	TITANIUM
TZ	INCOLY 800HT	UD	TANTALUM
GR	AISI 446SS	TY	ALLOY 20
TX	MONEL 400	TL	AISI 316L

EI3

GQ

INSTRUMENT CONNECTION

VP	3/8" BSP (F)	GD	3/4" NPT (F)	4JF	1/2" PF (F)
VQ	3/8" NPT (F)	GE	1" BSP (F)	VO	1/4" NPT (F)
GC	3/4" BSP (F)	GF	1" NPT (F)	VN	1/4" BSP (F)
VL	1/2" BSP (F)	4QF	1/2" PT (F)	IV	1/4" PT (F)
VM	1/2" NPT (F)	4MF	M20 x 1.5 (F)	IW	1/4" PF (F)

VM

FOR OTHER CONNECTIONS CONTACT FACTORY

FLANGE CONNECTION

SEE FLANGE TABLE

BORE DIAMETER "d"

d INDICATE BORE DIAMETER IN mm
e.g : FOR 6.5 mm - d 6.5

d 6.5

TAPER STARTING AT

0 JUST BELOW FLANGE
- DISTANCE BELOW FLANGE [PLEASE MENTION IN mm]

0

OUTSIDE MAJOR DIAMETER "DA"

DA e.g. FOR MAJOR DIAMETER OF 20mm, PLEASE MENTION DA 20

DA20

OUTSIDE MINOR DIAMETER "DB"

DB e.g. FOR MINOR DIAMETER OF 15mm, PLEASE MENTION DB 15

DB15

THERMOWELL INSERTION LENGTH "U"

U INDICATE INSERTION LENGTH IN mm AS - UXXX
e.g : FOR 300 mm - U 300

U600

LAGGING/EXTENSION LENGTH "H"

H INDICATE LAGGING LENGTH IN mm AS - HXX
e.g : FOR 50 mm - H 50

H 50

FINISHED HEAD DIAMETER "HD"

HD INDICATE HEX DIAMETER IN mm
e.g : FOR 28 mm - HD 28

HR INDICATE ROUND DIAMETER IN mm
e.g : FOR 28 mm - HR 28

HR 35

NOTE TIP THICKNESS (6 mm)

OPTIONS

GG	PLUG AND CHAIN OF SS	IX	SPANNER FLAT FOR ROUND HEAD
GH	TEST CERTIFICATE FOR MATERIAL OF CONSTRUCTION		

COATING/LINING ON THERMOWELL

GI	TEFLON COATING	GK	RUBBER LINING	GM	HASTEALLOY C OVERLAY
GJ	TUNGSTEN CARBIDE COATING	GL	GLASS LINING	GN	TITANIUM OVERLAY

* FOR OTHER EXOTIC MATERIALS CONTACT FACTORY

TESTS & CERTIFICATES

SY	BORE CONCENTRICITY TEST	PV	IBR CERTIFICATION
GO	HYDRO TEST AT 100 KG/CM ² (FROM INSIDE AND OUTSIDED)	TE	RADIOGRAPHY TEST FOR THERMOWELLS
TA	DYE PENETRATION TEST FOR WELD JOINTS	GP	WAKE FREQUENCY CALCULATION AS PER PTC 19.3
TG	CRACK DETECTION ULTRA SONIC TEST	TF	NACE

Note : Due to continuous changes the specification may vary from time to time