

## SPECIAL FEATURES

- CE Approved Transmitter
- Local Display With 4 To 20mA Output
- Stainless Steel Case & Measuring System
- Helium leak tested
- Standard Followed ASME -B.40.1 / EN837-1
- IP:54

## SPECIFICATIONS

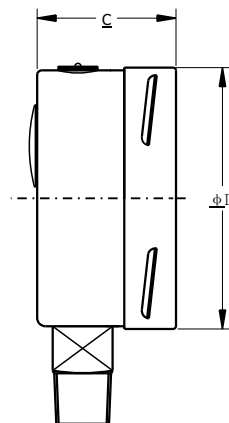
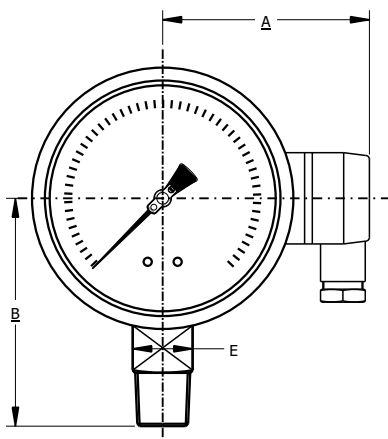
- Ambient Temperature: -4°F(-20°C) to + 150°F (+65°C)
- Process Temperature: Max.392°F (200°C)
- Operating Pressure Range: 75% of Scale Value
- Over Pressure Limit: 125% of Max.Scale Value
- Case: AISI 304 SS
- Joints: Tig Argon Arc Welding
- Socket: AISI 316L SS
- Bourdon: AISI 316L SS
- Dial:Aluminum
- Pointer: Mirco Zero Adjustable
- Window: Safety Glass
- Range: Vacuum to 7500psi
- Signal Output: 4-20mA DC(2-lime)  
1-5V. DC(3-lime)
- Working Voltage: 24V.DC
- Element: Ceramic Sensor
- Junction Box: PVC



## ACCURACY AS PER ASME B.40.1

4"/6" : 1-1-1 (GRADE 1A)

\*Please consult factory for better accuracy availability.



NS	A	B	φC	φD	E	Weight (lbs)
4"	5.59"	3.23"	1.97"	3.98"	0.87"	1.56
6"	7.4"	4.6"	1.97"	5.87"	0.87"	2.72

Example

## HOW TO ORDER

### NOMINAL SIZE

F H  
4 " 6"

X

### TYPE OF MOUNTING

- 1 WALL/SURFACE/PROJECTION MOUNTING WITH BOTTOM
- 2 BOTTOM

X

### GAUGE CONNECTION

- 2BM** 1/4" BSP(M)
- 2NM** 1/4" NPT(M)
- 3BM** 3/8" BSP(M)
- 3NM** 3/8" NPT(M)
- 4BM** 1/2" BSP(M)
- 4NM** 1/2" NPT(M)
- 4MM** M20 X 1.5(M)

\*\*\*Please consult factory for any special connections

XXX

### RANGE

CODE	E1	E2	E3	E4	E5	E6	E7	E8	E9	E10	E11	E12	E13
RANGE ( <sub>psi</sub> )	-30"hg	-30"hg-15	-30"hg-30	-30"hg-60	-30"hg-100	-30"hg-160	-30"hg-200	-30"hg-300	15	30	60	100	160
CODE	E14	E15	E16	E17	E18	E19	E20	E21	E22	E23	E24	E26	E27
RANGE ( <sub>psi</sub> )	200	300	400	500	600	800	1000	1500	2000	3000	4000	6000	7500

E13

### OPTIONAL EXTRAS

- PS** AISI 316 CASE & BEZEL
- PW** FIVE POINT CALIBRATION CERTIFICATE
- PU** CALIBRATION CERTIFICATE TRACEABLE TO NATIONAL/INTERNATIONAL STANDARDS
- QB** INTEGRAL DAMPENING SCREW(AISI 316SS)
- RH** CUSTOM DESIGNED DIAL
- SU** BRASS MOVEMENT
- RW** PLEXI GLASS
- RX** SHATTERPROOF/SAFETY GLASS
- RZ** TOUGHENED
- SW** DIAL TAG MARKING
- GH** MATERIAL TEST CERTIFICATES
- SX** SS TAG PLATE
- SY** AISI 316SS TAG PLATE

XX

**Ordering Example: P-36-X-X-XXX-(E13)-XX**